





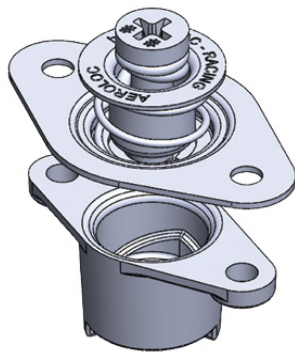
Overview.....120
Available Styles.....121
Panel & Frame Preparation.....122
Technical Information.....123

A robust long lasting answer to the problem of secure panel fastening

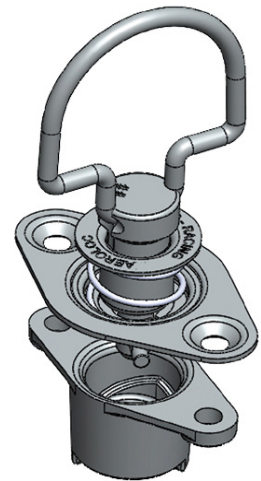
Benefits:

- Security - stays locked in place
- Consistent performance
- Flush fitting and quick to operate
- Durable with high cycle life
- Choice of head styles

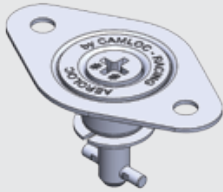
Cross Recess Version



Bail Handle Version



Tool Operated

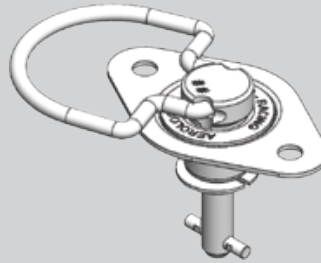


CROSS RECESS
PLAIN FIXING HOLES
200-1000 SERIES

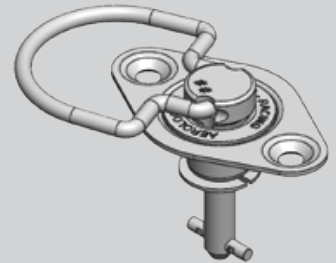


CROSS RECESS
COUNTERSUNK FIXING HOLES
(1MM MIN PANEL THICKNESS)
200-1100 SERIES

Hand Operated



BAIL HANDLE
PLAIN FIXING HOLES
200-5000 SERIES



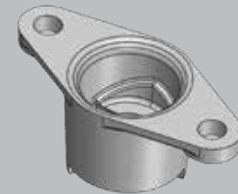
BAIL HANDLE
COUNTERSUNK FIXING HOLES
(1MM MIN PANEL THICKNESS)
200-5100 SERIES



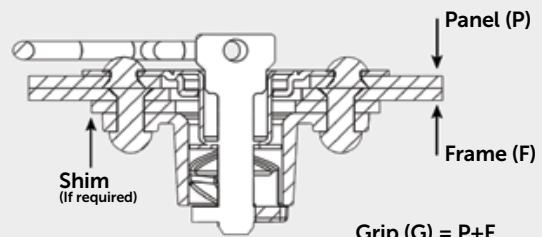
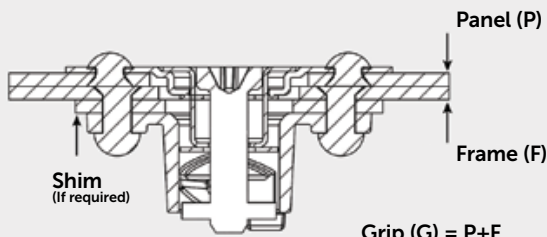
SHIM 0.8MM
205-9008



SHIM 1.5MM
205-9015



RECEPTACLE
205-1000



Specifying your AeroLoc

- 1 Select head style and plate fixing (see above).
- 2 Measure your panel (P) and frame (F) and add them together. This is the grip size (G) required (see diagrams above).
- 3 Refer to Table 1 and select the stud part number for your grip (G).

200-1000 Series	200-1100 Series	200-5000 Series	200-5100 Series	GRIP		SHIM	RECEPTACLE
				MIN	MAX		
200-1007	200-1107	200-5007	200-5107	3.55 (0.14)	4.30 (0.17)	205-9015	205-1000
200-1007	200-1107	200-5007	200-5107	4.30 (0.17)	5.10 (0.20)	205-9018	205-1000
200-1007	200-1107	200-5007	200-5107	5.10 (0.20)	5.85 (0.23)	N/A	205-1000
200-1008	200-1108	200-5008	200-5108	5.85 (0.23)	6.60 (0.26)	N/A	205-1000
200-1009	200-1109	200-5009	200-5109	6.60 (0.26)	7.30 (0.29)	N/A	205-1000
200-1010	200-1110	200-5010	200-5110	7.30 (0.29)	8.15 (0.32)	N/A	205-1000
200-1011	200-1111	200-5011	200-5111	8.15 (0.32)	8.9 (0.35)	N/A	205-1000

DIMENSIONS MM (IN)

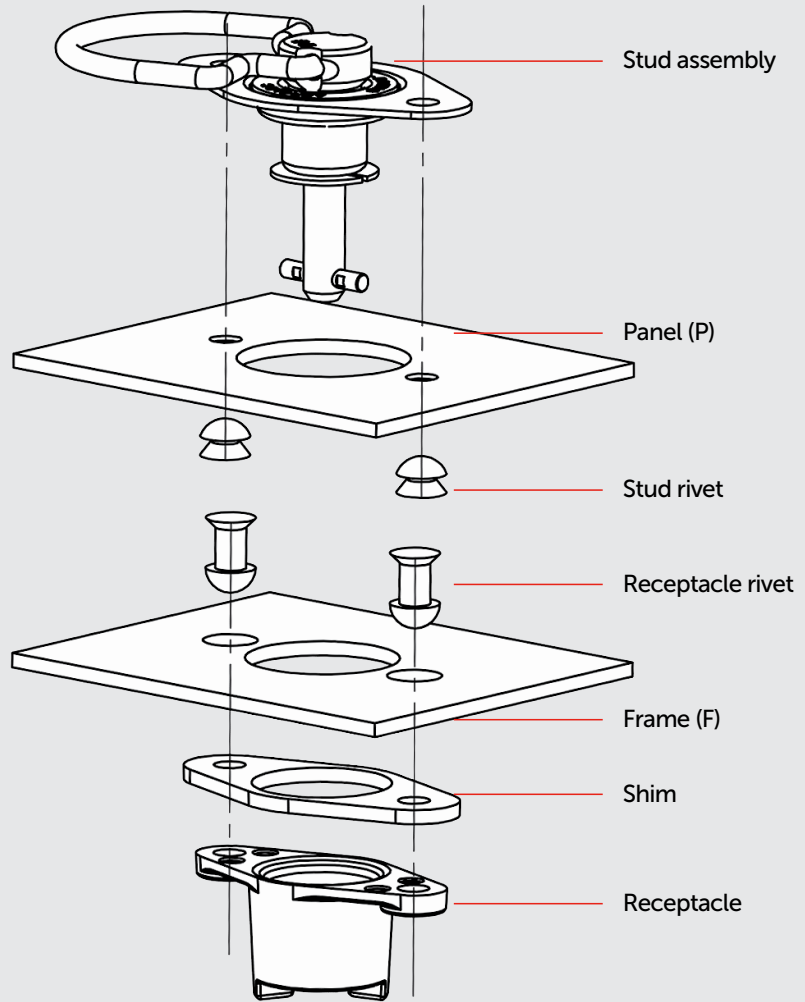
AeroLoc panel and frame preparation

AeroLoc fasteners are grip range sensitive. To ensure the panel seats correctly for a given grip range, it is important that any protrusions below the panel from the stud assembly fixings are taken into account.

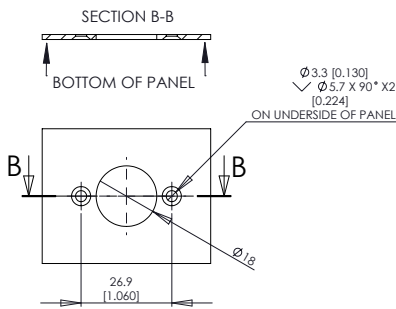
If you are using a 200-1100 or 200-5100 style stud assembly riveted from above, provision needs to be made for the rivet bodies in the frame.

This can be achieved by rotating the receptacle fixing hole position by 35 degrees and drilling 2 x 5.0mm clearance holes for the stud assembly rivet bodies.

Typical assembly 200-5007 Bail Handle

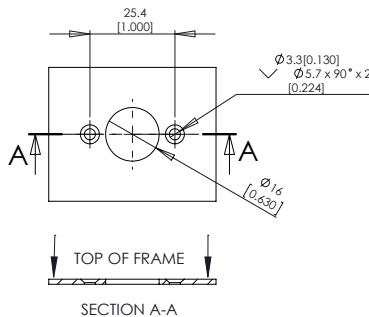


Panel preparation

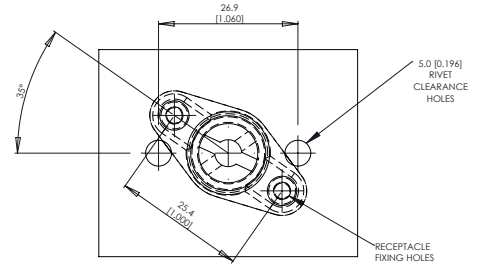


DIMENSIONS MM (IN)

Frame preparation



Frame preparation for 200-1100 and 200-5100 countersunk stud assemblies



CROSS RECESS STUD ASSEMBLY

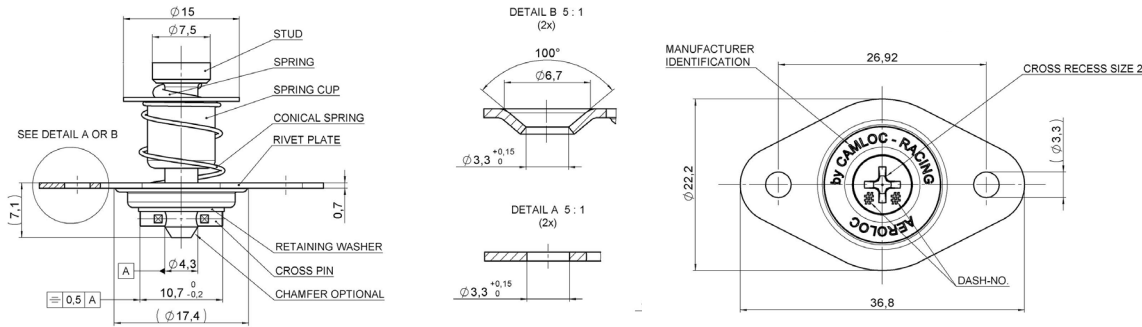
**200-1000 SERIES
CROSS RECESS WITH
PLAIN FIXING HOLES**

**200-1100 SERIES
CROSS RECESS WITH
COUNTERSUNK FIXING HOLES**

MATERIAL: STEEL

**FINISH: ZINC AND CLEAR
PASSIVATED - REACH
COMPLIANT**

DIMENSIONS MM (IN)



BAIL HANDLE STUD ASSEMBLY

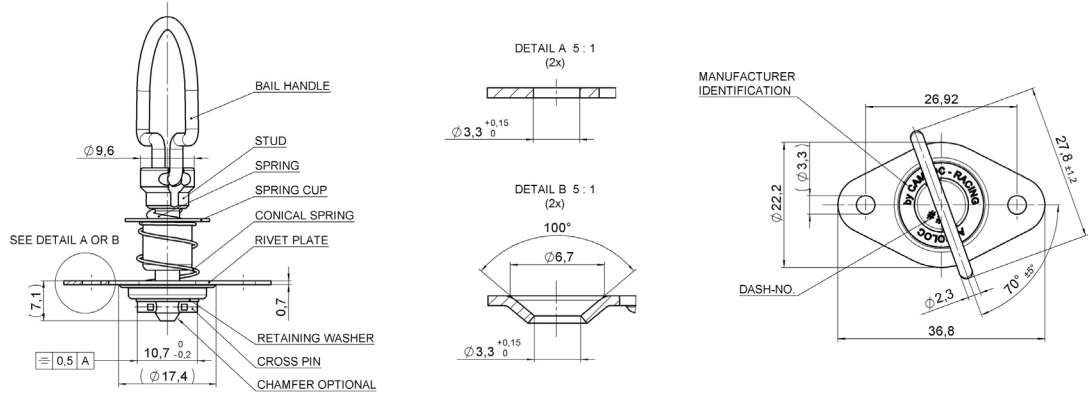
**200-5000 SERIES
BAIL HANDLE WITH
PLAIN FIXING HOLES**

**200-5100 SERIES
BAIL HANDLE WITH
COUNTERSUNK FIXING HOLES**

MATERIAL: STEEL

**FINISH: ZINC AND CLEAR
PASSIVATED - REACH
COMPLIANT**

DIMENSIONS MM (IN)



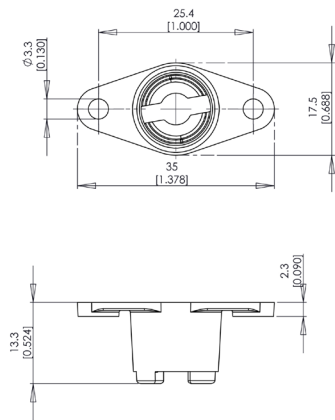
RECEPTACLE

205-1000

**MATERIAL: SILICON
BRONZE**

**FINISH: ZINC AND CLEAR
PASSIVATED - REACH
COMPLIANT**

DIMENSIONS MM (IN)



SHIM

205-9008

205-9015

MATERIAL: ALUMINIUM

FINISH: ANODISED

